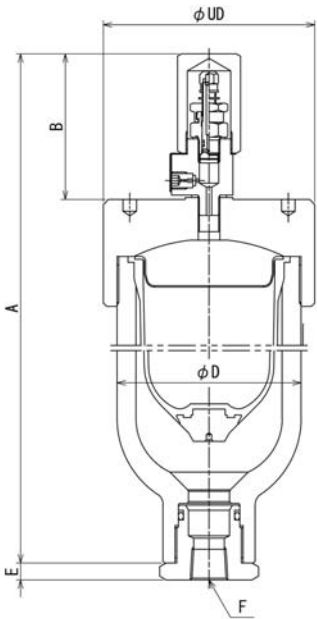


MINIORATOR

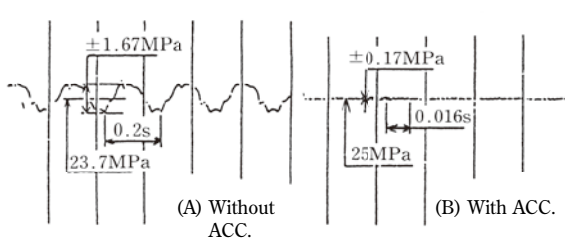


Model	M210								
Spec.									
Max. W.P	20.6MPa								
Gas type	N ₂ gas								
Precharge pressure limits	0.25 × P ₃ < P ₁ < 0.9 × P ₂ (P ₁ =Precharge pressure, P ₂ =Min working pressure, P ₃ =Max working pressure)								
Instailation	Vertically (Oil side is downward)								
Surface treatment	Fluid = Oil : Parkerizing Fluid = Water, etc. : Nickel plating Note: Stainless steel type is shown in page 13.								
Model symbols	<table border="0"> <tr> <td>M 210-1-20</td> <td rowspan="4"> Rubber Materials Nominal gas volume of accumulator (ℓ) Max working pressure Series </td> </tr> <tr> <td>20.</td> <td>(NBR)Mineral Oil</td> </tr> <tr> <td>40.</td> <td>(IIR)Phosphate Ester</td> </tr> <tr> <td>28.</td> <td>(FKM)Chemical Material</td> </tr> </table>	M 210-1-20	Rubber Materials Nominal gas volume of accumulator (ℓ) Max working pressure Series	20.	(NBR)Mineral Oil	40.	(IIR)Phosphate Ester	28.	(FKM)Chemical Material
M 210-1-20	Rubber Materials Nominal gas volume of accumulator (ℓ) Max working pressure Series								
20.		(NBR)Mineral Oil							
40.		(IIR)Phosphate Ester							
28.		(FKM)Chemical Material							

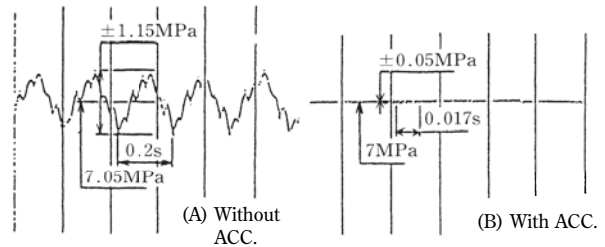
Model	Dimensions	Max W.P. (MPa)	Gas volume (ℓ)	Mass (kg)	A (mm)	UD (mm)	D (mm)	B (mm)	E (mm)	F	Max allowable discharge flow (ℓ/min)
M210-0.1		20.6	0.115	2.0	232	74	60.5	85	—	Rc1/4	62
M210-0.3			0.29	5.0	286	94	76.3	85	35	Rc3/4	92
M210-0.5			0.5	6.3	376	94	76.3	85	35	Rc3/4	92
M210-1			1.0	12.5	398	124	107.9	85	10	Rc3/4	260

- ◎ Maximum allowable discharge flow is designed to avoid the stopper's chattering phenomenon due to pressurized fluid.
- ◎ Maximum allowable discharge flow is designed in the case where the fluid material is mineral oil VG46.

Examples in Pulsation damping effects



Ex.1 0.5 ℓ bladder type ACC.



Ex.2 0.5 ℓ bladder type ACC.